



48-156m



19-30m



V: 12m



W: 36-108m



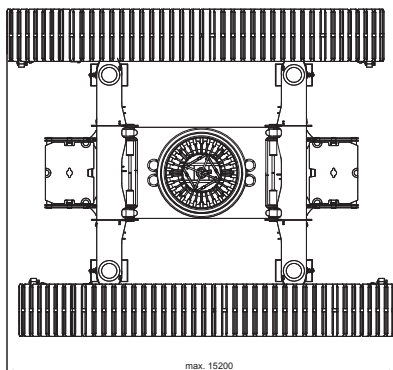
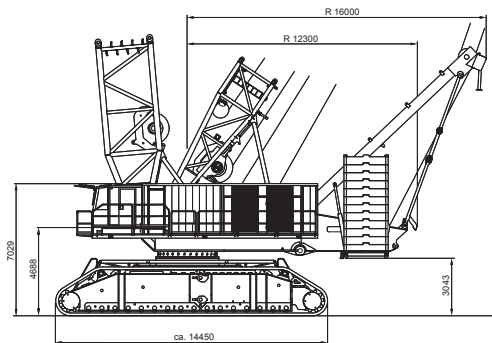
352kN

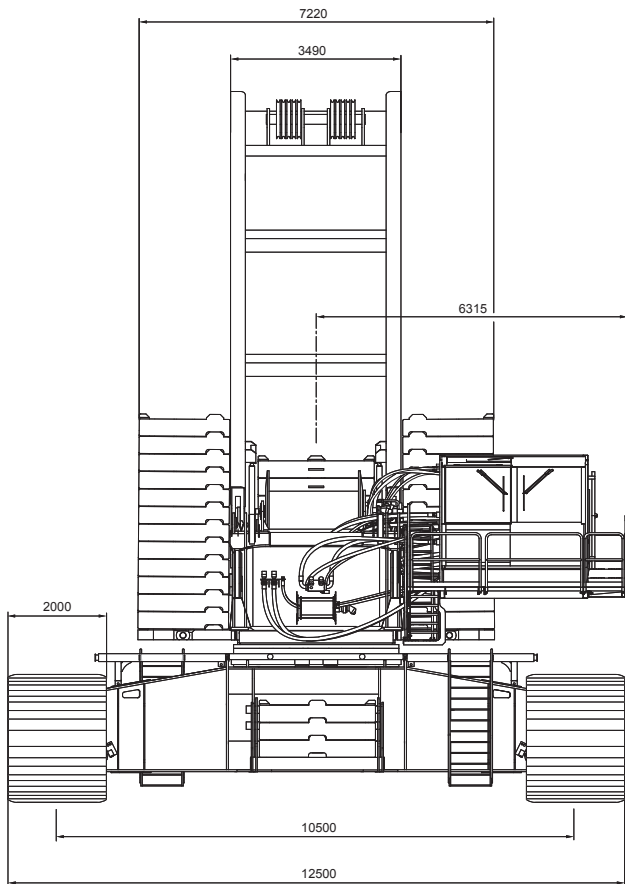


352kN

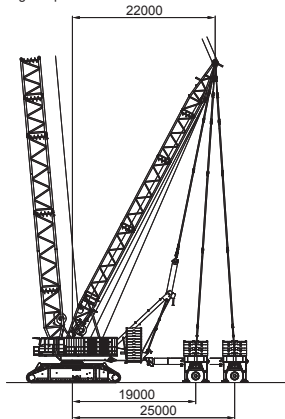
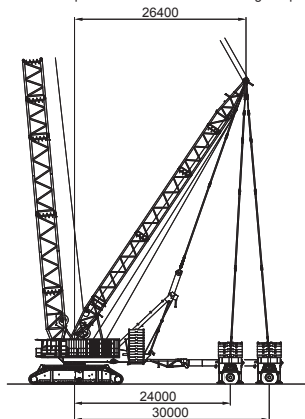
Hakenflaschen

| Traglast | Rollen | Strangzahl | Gewicht | Höhe |
|----------|--------|------------|----------|---------|
| 1250 t | 4x5 | 2x20 | 39000 kg | 8500 mm |
| 625 t | 2x5 | 20 | 17000 kg | 6000 mm |
| 350 t | 5 | 11 | 14500 kg | 6000 mm |
| 90 t | 1 | 3 | 7700 kg | 4500 mm |

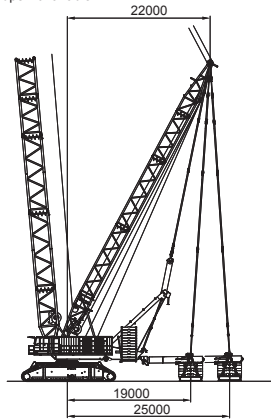
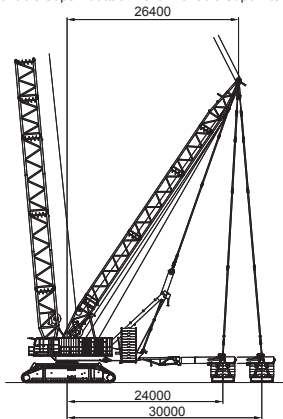




Standard Superlift attachment · Serienmäßige Superliftanrichtung · Superlift de série

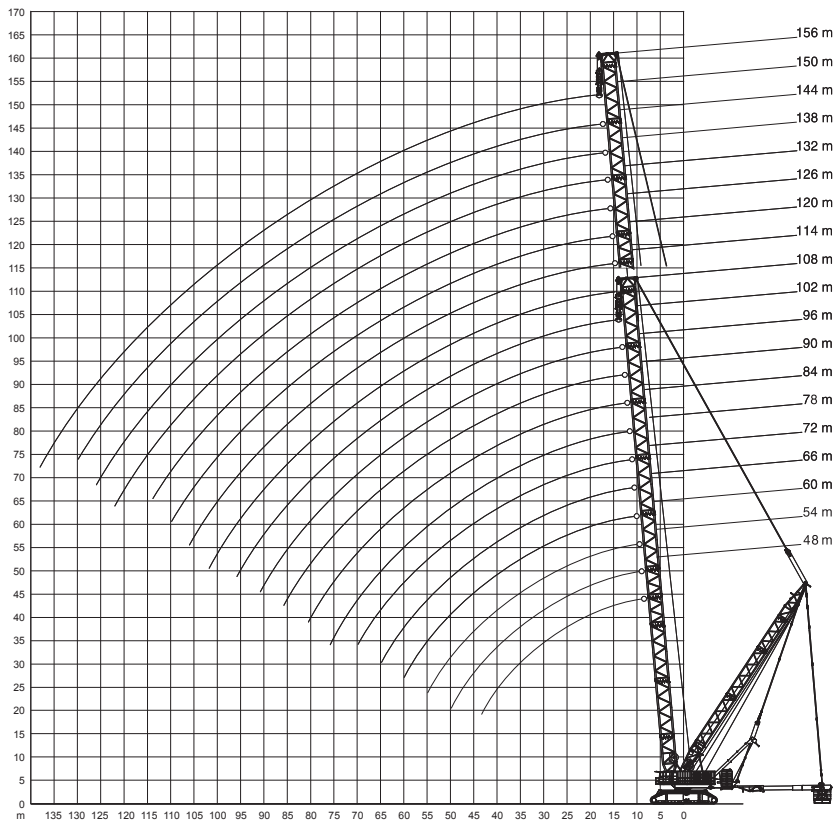


Variable Superlift attachment · Variable Superliftanrichtung · Superlift variable



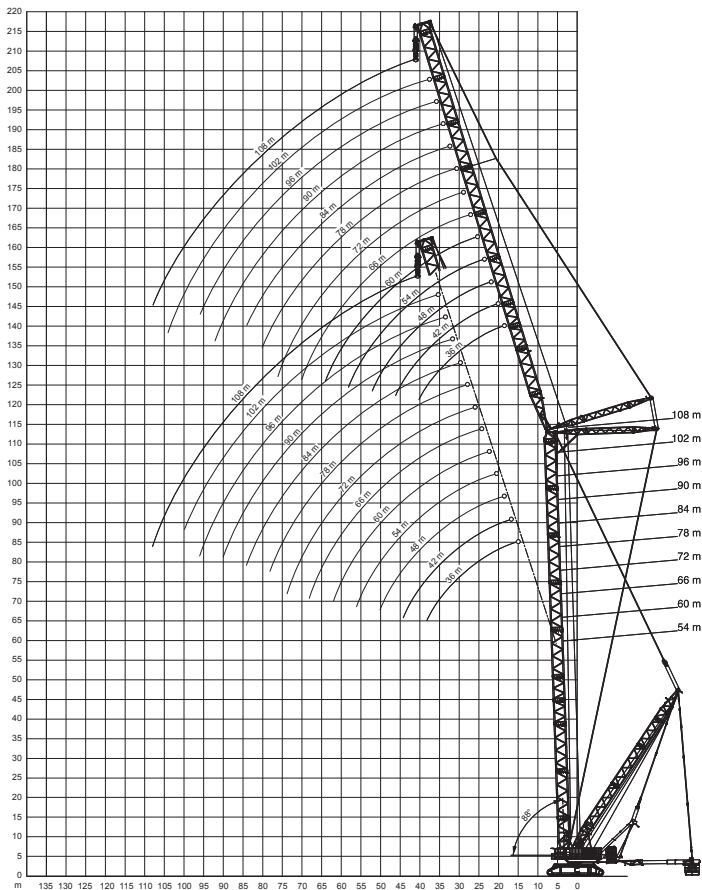


Arbeitsbereiche am Hauptausleger mit Superlift
(SSL/HSSL)



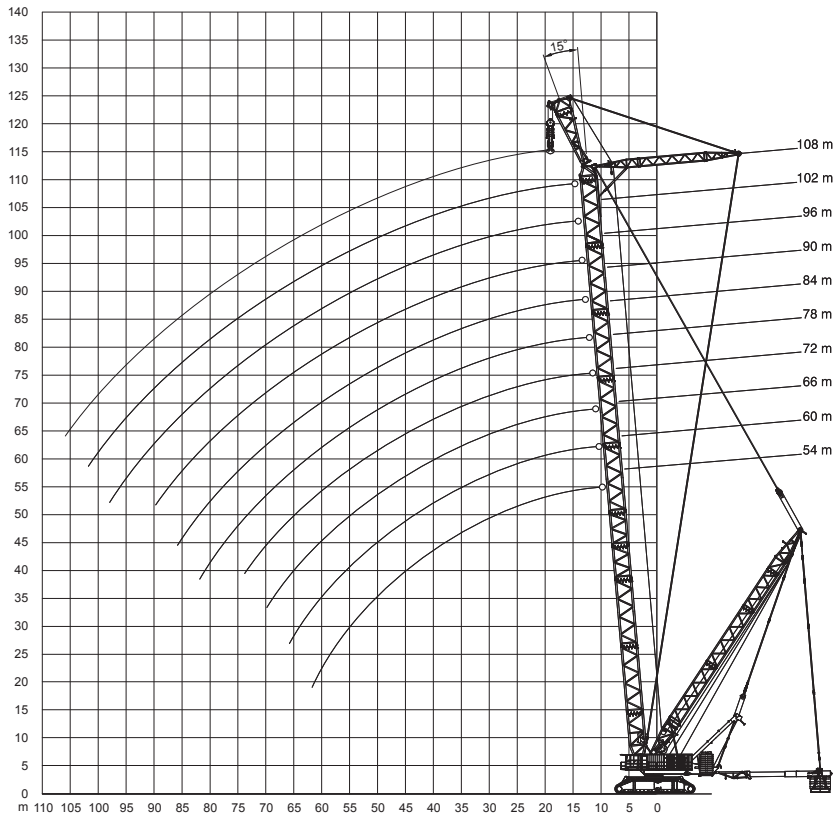


Arbeitsbereiche mit Wippspitze und Superlift (Hauptausleger 85°) (SWSL)





Arbeitsbereiche mit Vessellift und Superlift
(SFVL)





Terex CC 8800-1

1600 t



48-108m



19-30m



15,2x10,5m



295t



0-640t



360°

75%

| m | 48 | 54 | 60 | 66 | 72 | 78 | 84 | 90 | 96 | 102 | 108 | m |
|----|--------|------|------|------|------|------|-------|-----|-----|-------|-------|----|
| 10 | 1600 | 1600 | 1555 | | | | | | | | | 10 |
| 11 | 1585,5 | 1581 | 1553 | 1405 | 1238 | | | | | | | 11 |
| 12 | 1571 | 1562 | 1553 | 1405 | 1238 | 1098 | 976 | | | | | 12 |
| 14 | 1496 | 1487 | 1478 | 1383 | 1238 | 1098 | 976 | 867 | 775 | 695 | 625 | 14 |
| 16 | 1428 | 1419 | 1410 | 1383 | 1238 | 1098 | 976 | 867 | 775 | 695 | 625 | 16 |
| 18 | 1309 | 1309 | 1302 | 1290 | 1204 | 1098 | 976 | 867 | 775 | 695 | 625 | 18 |
| 20 | 1192 | 1192 | 1185 | 1178 | 1168 | 1060 | 973 | 867 | 775 | 695 | 625 | 20 |
| 22 | 1091 | 1085 | 1079 | 1073 | 1069 | 1038 | 940 | 858 | 774 | 695 | 625 | 22 |
| 24 | 991 | 992 | 986 | 980 | 976 | 973 | 927 | 846 | 766 | 692 | 624 | 24 |
| 26 | 912 | 913 | 907 | 901 | 897 | 893 | 888 | 829 | 759 | 687 | 621 | 26 |
| 28 | 830 | 845 | 839 | 833 | 829 | 825 | 820 | 818 | 747 | 683 | 617 | 28 |
| 30 | 751 | 785 | 779 | 774 | 770 | 766 | 761 | 759 | 743 | 674 | 613 | 30 |
| 34 | 620 | 687 | 682 | 676 | 672 | 668 | 663 | 661 | 657 | 653 | 600 | 34 |
| 38 | 538 | 580 | 604 | 599 | 594 | 591 | 586 | 583 | 579 | 576 | 569 | 38 |
| 42 | 449 | 491 | 532 | 536 | 532 | 528 | 523 | 521 | 516 | 513 | 510 | 42 |
| 46 | | 436 | 457 | 484 | 479 | 476 | 471 | 468 | 464 | 461 | 458 | 46 |
| 50 | | 367 | 392 | 424 | 435 | 431 | 426 | 423 | 419 | 416 | 413 | 50 |
| 54 | | | 353 | 369 | 394 | 393 | 388 | 385 | 381 | 378 | 375 | 54 |
| 58 | | | | 324 | 346 | 361 | 355 | 353 | 348 | 345 | 342 | 58 |
| 62 | | | | | 302 | 324 | 327 | 324 | 320 | 316 | 314 | 62 |
| 66 | | | | | | 285 | 301 | 300 | 295 | 292 | 289 | 66 |
| 70 | | | | | | 249 | 267 | 278 | 274 | 270 | 267 | 70 |
| 72 | | | | | | | 251,5 | 265 | 264 | 260 | 257 | 72 |
| 74 | | | | | | | 236 | 252 | 254 | 250 | 247 | 74 |
| 76 | | | | | | | 220 | 238 | 244 | 241,5 | 238,5 | 76 |
| 78 | | | | | | | | 224 | 234 | 233 | 230 | 78 |
| 82 | | | | | | | | | 209 | 218 | 214 | 82 |
| 86 | | | | | | | | | 185 | 196 | 200 | 86 |
| 90 | | | | | | | | | | 175 | 183 | 90 |
| 94 | | | | | | | | | | | 164 | 94 |
| 96 | | | | | | | | | | | 154 | 96 |

mit 60 t Zentralballast

HSSL



114-156m



19-30m



15,2x10,5m



295t



0-640t



360°

75%

| m | 114 | 120 | 126 | 132 | 138 | 144 | 150 | 156 | m |
|-----|-----|-----|-----|-----|------|-----|------|------|-----|
| 16 | 562 | 506 | 457 | 410 | | | | | 16 |
| 18 | 562 | 506 | 457 | 410 | 369 | 331 | 299 | 268 | 18 |
| 20 | 562 | 506 | 457 | 410 | 369 | 331 | 299 | 268 | 20 |
| 22 | 562 | 506 | 456 | 410 | 369 | 331 | 299 | 268 | 22 |
| 24 | 562 | 506 | 456 | 410 | 369 | 331 | 299 | 268 | 24 |
| 26 | 561 | 506 | 456 | 410 | 369 | 331 | 299 | 267 | 26 |
| 28 | 559 | 504 | 453 | 410 | 369 | 331 | 299 | 267 | 28 |
| 30 | 556 | 501 | 447 | 410 | 369 | 331 | 299 | 267 | 30 |
| 34 | 552 | 495 | 435 | 409 | 368 | 331 | 298 | 265 | 34 |
| 38 | 529 | 489 | 423 | 408 | 367 | 330 | 296 | 262 | 38 |
| 42 | 504 | 458 | 405 | 403 | 366 | 329 | 294 | 259 | 42 |
| 46 | 459 | 438 | 388 | 388 | 355 | 323 | 291 | 256 | 46 |
| 50 | 415 | 412 | 370 | 365 | 344 | 313 | 283 | 251 | 50 |
| 54 | 376 | 374 | 352 | 352 | 323 | 304 | 276 | 246 | 54 |
| 58 | 343 | 341 | 334 | 339 | 313 | 290 | 269 | 240 | 58 |
| 62 | 315 | 312 | 312 | 311 | 303 | 279 | 262 | 235 | 62 |
| 66 | 290 | 287 | 287 | 286 | 284 | 270 | 250 | 229 | 66 |
| 70 | 268 | 265 | 265 | 264 | 262 | 260 | 244 | 221 | 70 |
| 74 | 248 | 245 | 245 | 244 | 242 | 240 | 237 | 215 | 74 |
| 78 | 231 | 228 | 228 | 226 | 224 | 223 | 223 | 210 | 78 |
| 82 | 215 | 212 | 212 | 210 | 208 | 207 | 207 | 205 | 82 |
| 86 | 201 | 198 | 198 | 196 | 194 | 193 | 193 | 192 | 86 |
| 90 | 188 | 185 | 185 | 183 | 181 | 179 | 180 | 179 | 90 |
| 94 | 175 | 173 | 173 | 171 | 169 | 168 | 168 | 167 | 94 |
| 98 | 158 | 163 | 162 | 160 | 158 | 157 | 157 | 156 | 98 |
| 102 | 141 | 147 | 153 | 151 | 148 | 147 | 147 | 146 | 102 |
| 106 | | 132 | 140 | 141 | 139 | 137 | 138 | 136 | 106 |
| 110 | | | 126 | 131 | 131 | 129 | 129 | 128 | 110 |
| 114 | | | | 119 | 122 | 121 | 122 | 120 | 114 |
| 118 | | | | | 111 | 114 | 114 | 112 | 118 |
| 122 | | | | | 99,5 | 103 | 108 | 106 | 122 |
| 126 | | | | | | 93 | 98 | 99,5 | 126 |
| 130 | | | | | | | 88,5 | 90,5 | 130 |
| 134 | | | | | | | | 81,5 | 134 |
| 138 | | | | | | | | 72,5 | 138 |

mit 60 t Zentralballast



75%

| m | 54 | | | | | | | | 60 | | | | | | | | m |
|-----|------|------|------|------|-------|-------|------|------|------|------|------|-------|-------|-------|-----|--|---|
| | 36 | 48 | 60 | 72 | 84 | 96 | 108 | 36 | 48 | 60 | 72 | 84 | 96 | 108 | | | |
| 18 | 629* | | | | | | | 573* | | | | | | | 18 | | |
| 20 | 614* | | | | | | | 564* | | | | | | | 20 | | |
| 22 | 594* | 496* | | | | | | 545* | 457* | | | | | | 22 | | |
| 24 | 653 | 484* | | | | | | 600 | 446* | | | | | | 24 | | |
| 26 | 639 | 471* | 394* | | | | | 587 | 434* | 364* | | | | | 26 | | |
| 28 | 603 | 516 | 386* | | | | | 574 | 476 | 357* | | | | | 28 | | |
| 30 | 543 | 508 | 378* | 315* | | | | 556 | 468 | 350* | 293* | | | | 30 | | |
| 34 | 450 | 484 | 406 | 306* | 253* | | | 459 | 453 | 376 | 284* | 236* | | | 34 | | |
| 38 | 383 | 411 | 396 | 325 | 247* | 200* | | 389 | 419 | 367 | 303 | 230* | 189* | | 38 | | |
| 42 | 332 | 356 | 367 | 320 | 260 | 197* | 154* | 337 | 362 | 357 | 297 | 243 | 185* | 146* | 42 | | |
| 46 | | 313 | 322 | 314 | 256 | 203 | 151* | | 317 | 333 | 292 | 240 | 193 | 143* | 46 | | |
| 50 | | 278 | 285 | 283 | 252 | 200 | 154 | | 281 | 295 | 285 | 236 | 190 | 147 | 50 | | |
| 54 | | 244 | 255 | 253 | 247 | 198 | 152 | | 248 | 264 | 266 | 232 | 188 | 145 | 54 | | |
| 58 | | | 229 | 227 | 221 | 196 | 150 | | | 238 | 239 | 228 | 186 | 144 | 58 | | |
| 62 | | | 208 | 206 | 199 | 193 | 148 | | | 216 | 216 | 210 | 184 | 142 | 62 | | |
| 66 | | | | 187 | 181 | 179 | 146 | | | 182 | 197 | 190 | 181 | 140 | 66 | | |
| 70 | | | | 171 | 165 | 163 | 145 | | | | 180 | 173 | 171 | 138 | 70 | | |
| 74 | | | | 157 | 151 | 148 | 143 | | | | 158 | 159 | 156 | 137 | 74 | | |
| 78 | | | | | 138 | 136 | 131 | | | | | 146 | 143 | 135 | 78 | | |
| 82 | | | | | 127 | 124,5 | 120 | | | | | 133 | 131,5 | 127 | 82 | | |
| 86 | | | | | 115,5 | 114,5 | 110 | | | | | 117,5 | 121 | 116,5 | 86 | | |
| 90 | | | | | | 105,5 | 101 | | | | | | 111,5 | 107,5 | 90 | | |
| 94 | | | | | | 97,5 | 93 | | | | | | 101,5 | 99 | 94 | | |
| 98 | | | | | | | 85,5 | | | | | | 89,7 | 91,2 | 98 | | |
| 102 | | | | | | | 78,7 | | | | | | | 84 | 102 | | |
| 106 | | | | | | | 72,7 | | | | | | | 75,7 | 106 | | |

mit 60 t Zentralballast

* Hauptausleger 88°



66-72m

85°



19-30m



36-108m



15,2x10,5m



295t



0-640t



360°

75%

| m | 66 | | | | | | | | 72 | | | | | | m |
|-----|------|------|------|------|------|-------|-------|------|------|------|-------|-------|-------|------|----|
| | 36 | 48 | 60 | 72 | 84 | 96 | 108 | 36 | 48 | 60 | 72 | 84 | 96 | 108 | |
| 18 | 536* | | | | | | | | | | | | | | 18 |
| 20 | 528* | | | | | | | 484* | | | | | | | 20 |
| 22 | 511* | 424* | | | | | | 469* | 390* | | | | | | 22 |
| 24 | 562 | 419* | | | | | | 511 | 385* | | | | | | 24 |
| 26 | 551 | 408* | 344* | | | | | 505 | 376* | 317* | | | | | 26 |
| 28 | 539 | 445 | 337* | | | | | 494 | 409 | 311* | | | | | 28 |
| 30 | 528 | 441 | 331* | 277* | | | | 484 | 405 | 305* | 257* | | | | 30 |
| 34 | 469 | 427 | 355 | 269* | 224* | | | 463 | 392 | 328 | 249* | 208* | | | 34 |
| 38 | 396 | 412 | 346 | 287 | 218* | 180* | | 404 | 378 | 320 | 266 | 202* | 167* | | 38 |
| 42 | 342 | 368 | 337 | 282 | 232 | 176* | 140* | 347 | 365 | 311 | 261 | 216 | 164* | 132* | 42 |
| 46 | | 321 | 328 | 276 | 228 | 185 | 138* | | 326 | 302 | 256 | 212 | 173 | 130* | 46 |
| 50 | | 285 | 299 | 270 | 225 | 183 | 142 | | 288 | 293 | 250 | 208 | 170 | 134 | 50 |
| 54 | | 255 | 267 | 264 | 221 | 180 | 140 | | 257 | 270 | 244 | 205 | 168 | 132 | 54 |
| 58 | | | 240 | 244 | 217 | 178 | 139 | | 243 | 238 | 201 | 166 | 131 | 58 | |
| 62 | | | 218 | 220 | 213 | 175 | 137 | | 220 | 224 | 197 | 163 | 129 | 62 | |
| 66 | | | 188 | 200 | 194 | 173 | 135 | | 193 | 204 | 193 | 161 | 127 | 66 | |
| 70 | | | | 183 | 177 | 170 | 134 | | | 186 | 179 | 158 | 125 | 70 | |
| 74 | | | | 162 | 161 | 159 | 132 | | | 166 | 164 | 156 | 123 | 74 | |
| 78 | | | | 139 | 148 | 146 | 131 | | | 143 | 150 | 148 | 121 | 78 | |
| 82 | | | | | 135 | 134 | 127 | | | | 137,5 | 136 | 119 | 82 | |
| 86 | | | | | 120 | 123 | 119 | | | | 123 | 125 | 116,5 | 86 | |
| 90 | | | | | | 113,5 | 109 | | | | | 115,5 | 110,5 | 90 | |
| 94 | | | | | | 103,7 | 100,2 | | | | | 105,5 | 102 | 94 | |
| 98 | | | | | | 92 | 92,7 | | | | | 94 | 94,2 | 98 | |
| 102 | | | | | | | 85,5 | | | | | | 87 | 102 | |
| 106 | | | | | | | 77,5 | | | | | | 79 | 106 | |
| 110 | | | | | | | 68 | | | | | | 69,5 | 110 | |

mit 60 t Zentralballast

* Hauptausleger 88°



85°



75%

| m | 78 | | | | | | | | 84 | | | | | | | | m |
|-----|------|------|------|------|-------|-------|-------|------|------|------|------|------|------|-------|-----|--|---|
| | 36 | 48 | 60 | 72 | 84 | 96 | 108 | 36 | 48 | 60 | 72 | 84 | 96 | 108 | | | |
| 20 | 449* | | | | | | | 411* | | | | | | | 20 | | |
| 22 | 436* | 362* | | | | | | 399* | | | | | | | 22 | | |
| 24 | 422* | 358* | | | | | | 386* | 330* | | | | | | 24 | | |
| 26 | 469 | 349* | 293* | | | | | 430 | 322* | 270* | | | | | 26 | | |
| 28 | 459 | 340* | 290* | | | | | 421 | 314* | 268* | | | | | 28 | | |
| 30 | 449 | 377 | 285* | 240* | | | | 412 | 347 | 263* | 220* | | | | 30 | | |
| 34 | 429 | 364 | 307 | 233* | 195* | | | 392 | 335 | 281 | 215* | 180* | | | 34 | | |
| 38 | 410 | 351 | 298 | 250 | 190* | 157* | | 374 | 323 | 275 | 230 | 175* | 145* | | 38 | | |
| 42 | 353 | 338 | 290 | 244 | 202 | 153* | 125* | 358 | 310 | 267 | 225 | 186 | 142* | 117* | 42 | | |
| 46 | | 326 | 282 | 239 | 199 | 162 | 123* | | 298 | 259 | 220 | 184 | 150 | 114* | 46 | | |
| 50 | | 292 | 273 | 233 | 195 | 160 | 127 | | 288 | 251 | 215 | 180 | 148 | 119 | 50 | | |
| 54 | | 260 | 265 | 228 | 192 | 158 | 126 | | 263 | 243 | 209 | 177 | 146 | 118 | 54 | | |
| 58 | | | 246 | 222 | 188 | 156 | 125 | | | 234 | 204 | 173 | 143 | 116 | 58 | | |
| 62 | | | 222 | 217 | 184 | 153 | 123 | | | 225 | 199 | 169 | 141 | 114 | 62 | | |
| 66 | | | 195 | 207 | 180 | 151 | 121 | | | 199 | 192 | 166 | 138 | 113 | 66 | | |
| 70 | | | | 189 | 177 | 148 | 119 | | | | | 185 | 162 | 136 | 70 | | |
| 74 | | | | 166 | 168 | 146 | 117 | | | | | 169 | 157 | 133 | 74 | | |
| 78 | | | | 143 | 154 | 143 | 115 | | | | | 147 | 152 | 131 | 78 | | |
| 82 | | | | | 139,5 | 138 | 114 | | | | | | 141 | 127 | 82 | | |
| 86 | | | | | 123 | 129,5 | 111,5 | | | | | | 125 | 123 | 86 | | |
| 90 | | | | | | 118,5 | 106,5 | | | | | | | 117,5 | 90 | | |
| 94 | | | | | | 106,5 | 99,7 | | | | | | | 108 | 94 | | |
| 98 | | | | | | 93,7 | 93,2 | | | | | | | 95,7 | 98 | | |
| 102 | | | | | | | 86,5 | | | | | | | | 102 | | |
| 106 | | | | | | | 78,5 | | | | | | | | 106 | | |
| 110 | | | | | | | 69 | | | | | | | | 110 | | |

mit 60 t Zentralballast

* Hauptausleger 88°



90-96m

85°



19-30m



36-108m



15,2x10,5m



295t



0-640t



360°

75%

| m | 90 | | | | | | | | 96 | | | | | | | | m |
|-----|------|------|------|------|-------|-------|------|------|------|------|------|-------|-------|------|-----|--|---|
| | 36 | 48 | 60 | 72 | 84 | 96 | 108 | 36 | 48 | 60 | 72 | 84 | 96 | 108 | | | |
| 20 | 375* | | | | | | | 342* | | | | | | | 20 | | |
| 22 | 364* | | | | | | | 333* | | | | | | | 22 | | |
| 24 | 353* | 303* | | | | | | 323* | 277* | | | | | | 24 | | |
| 26 | 394 | 295* | 249* | | | | | 355 | 270* | 229* | | | | | 26 | | |
| 28 | 385 | 288* | 247* | | | | | 351 | 263* | 226* | | | | | 28 | | |
| 30 | 376 | 316 | 242* | 203* | | | | 343 | 290 | 222* | 187* | | | | 30 | | |
| 34 | 358 | 307 | 259 | 198* | 166* | | | 326 | 282 | 235 | 182* | 151* | | | 34 | | |
| 38 | 341 | 296 | 253 | 211 | 161* | 135* | | 310 | 270 | 232 | 176* | 148* | 124* | | 38 | | |
| 42 | 328 | 284 | 245 | 207 | 171 | 132* | 108* | 299 | 259 | 225 | 190 | 144* | 121* | 99* | 42 | | |
| 46 | | 272 | 237 | 202 | 169 | 137 | 106* | 287 | 248 | 217 | 185 | 155 | 118* | 97* | 46 | | |
| 50 | | 263 | 229 | 197 | 165 | 136 | 110 | | 240 | 210 | 180 | 151 | 125 | 95* | 50 | | |
| 54 | | 254 | 221 | 192 | 162 | 134 | 109 | | 231 | 202 | 175 | 148 | 123 | 100 | 54 | | |
| 58 | | | 215 | 187 | 158 | 131 | 107 | | | 196 | 170 | 144 | 120 | 98,5 | 58 | | |
| 62 | | | 208 | 181 | 155 | 129 | 105 | | | 190 | 165 | 141 | 117 | 97 | 62 | | |
| 66 | | | 201 | 176 | 151 | 126 | 104 | | | 184 | 160 | 137 | 115 | 95 | 66 | | |
| 70 | | | | 170 | 148 | 124 | 102 | | | | 156 | 134 | 113 | 93 | 70 | | |
| 74 | | | | 164 | 143 | 121 | 100 | | | | 151 | 130 | 110 | 91,5 | 74 | | |
| 78 | | | | 150 | 139 | 119 | 98,5 | | | | 146 | 127 | 108 | 89,5 | 78 | | |
| 82 | | | | | 134,5 | 116 | 96,7 | | | | | 123 | 105,5 | 87,7 | 82 | | |
| 86 | | | | | 125,5 | 112 | 95 | | | | | 119 | 102,5 | 86 | 86 | | |
| 90 | | | | | | 108,5 | 91,7 | | | | | 110,5 | 99,5 | 83,5 | 90 | | |
| 94 | | | | | | 105 | 87,5 | | | | | | 96,5 | 80,5 | 94 | | |
| 98 | | | | | | 97,2 | 83,2 | | | | | | 93,5 | 77,2 | 98 | | |
| 102 | | | | | | | 79 | | | | | | | 74 | 102 | | |
| 106 | | | | | | | 74,7 | | | | | | | 71 | 106 | | |
| 110 | | | | | | | 69,7 | | | | | | | 67,7 | 110 | | |

mit 60 t Zentralballast

* Hauptausleger 88°



102-108m



19-30m



36-108m



15,2x10,5m



295t



0-640t



360°

75%

85°

| m | 102 | | | | | | | | 108 | | | | | | | | m |
|-----|------|------|------|------|-------|------|-------|------|------|------|------|------|------|------|-----|--|---|
| | 36 | 48 | 60 | 72 | 84 | 96 | 108 | 36 | 48 | 60 | 72 | 84 | 96 | 108 | | | |
| 20 | 312* | | | | | | | 283* | | | | | | | 20 | | |
| 22 | 304* | | | | | | | 276* | | | | | | | 22 | | |
| 24 | 295* | 253* | | | | | | 269* | 230* | | | | | | 24 | | |
| 26 | 287* | 247* | | | | | | 262* | 225* | | | | | | 26 | | |
| 28 | 321 | 241* | 207* | | | | | 291 | 220* | 189* | | | | | 28 | | |
| 30 | 314 | 235* | 203* | 171* | | | | 285 | 214* | 185* | 155* | | | | 30 | | |
| 34 | 298 | 257 | 194* | 167* | 139* | | | 272 | 233 | 177* | 151* | 126* | | | 34 | | |
| 38 | 284 | 247 | 212 | 160* | 136* | 113* | | 260 | 224 | 192 | 146* | 124* | 102* | | 38 | | |
| 42 | 273 | 237 | 205 | 174 | 132* | 111* | 90,5* | 249 | 215 | 186 | 158 | 120* | 100* | 82* | 42 | | |
| 46 | 263 | 227 | 198 | 169 | 141 | 108* | 88,5* | 240 | 206 | 179 | 153 | 128 | 98* | 80* | 46 | | |
| 50 | | 219 | 191 | 164 | 138 | 114 | 86,5* | | 199 | 172 | 148 | 125 | 104 | 78* | 50 | | |
| 54 | | 211 | 184 | 159 | 134 | 112 | 91,5 | | 192 | 166 | 143 | 121 | 101 | 82,5 | 54 | | |
| 58 | | 204 | 178 | 154 | 131 | 109 | 89,5 | | 185 | 161 | 139 | 118 | 99,5 | 81 | 58 | | |
| 62 | | | 173 | 150 | 127 | 107 | 88 | | | 156 | 134 | 114 | 97 | 79,5 | 62 | | |
| 66 | | | 167 | 145 | 124 | 104 | 86 | | | 151 | 130 | 111 | 94 | 77,5 | 66 | | |
| 70 | | | | 141 | 120 | 102 | 84,5 | | | 146 | 126 | 107 | 91,5 | 75,5 | 70 | | |
| 74 | | | | 137 | 117 | 99,5 | 82,5 | | | | 123 | 104 | 89 | 73,5 | 74 | | |
| 78 | | | | 133 | 114 | 97 | 80,5 | | | | 119 | 101 | 86,5 | 71,5 | 78 | | |
| 82 | | | | | 111,5 | 94,7 | 79 | | | | | 98,5 | 83,7 | 69,7 | 82 | | |
| 86 | | | | | 108,5 | 92,2 | 77 | | | | | 95,7 | 81,5 | 68 | 86 | | |
| 90 | | | | | 105,5 | 89,7 | 75 | | | | | 93 | 79,2 | 66 | 90 | | |
| 94 | | | | | | 87,2 | 73 | | | | | | 77 | 64,2 | 94 | | |
| 98 | | | | | | 85 | 70,7 | | | | | | 74,7 | 62,5 | 98 | | |
| 102 | | | | | | 82,7 | 68,5 | | | | | | 72,5 | 60,7 | 102 | | |
| 106 | | | | | | | 66,5 | | | | | | | 59 | 106 | | |
| 110 | | | | | | | 64,2 | | | | | | | 57,2 | 110 | | |
| 114 | | | | | | | | | | | | | | 55,5 | 114 | | |

mit 60 t Zentralballast

* Hauptausleger 88°



54-60m



19-30m



36-108m



15,2x10,5m



295t



0-640t



360°

75%

| m | 54 | | | | | | | | 60 | | | | | | | | m |
|-----|-----|-----|-----|------|------|------|------|-----|-----|-----|-----|------|------|------|-----|--|---|
| | 36 | 48 | 60 | 72 | 84 | 96 | 108 | 36 | 48 | 60 | 72 | 84 | 96 | 108 | | | |
| 24 | 640 | | | | | | | 584 | | | | | | | 24 | | |
| 26 | 640 | | | | | | | 584 | | | | | | | 26 | | |
| 28 | 640 | 504 | | | | | | 584 | 463 | | | | | | 28 | | |
| 30 | 640 | 504 | | | | | | 584 | 463 | | | | | | 30 | | |
| 34 | 632 | 504 | 401 | | | | | 584 | 463 | 370 | | | | | 34 | | |
| 38 | 598 | 504 | 401 | 321 | | | | 570 | 463 | 370 | 298 | | | | 38 | | |
| 42 | 532 | 496 | 401 | 321 | 258 | | | 527 | 462 | 370 | 298 | 240 | | | 42 | | |
| 46 | 477 | 463 | 401 | 321 | 258 | 203 | | 473 | 441 | 370 | 298 | 240 | 192 | | 46 | | |
| 50 | 431 | 431 | 387 | 321 | 258 | 203 | 154 | 426 | 418 | 363 | 298 | 240 | 192 | 147 | 50 | | |
| 54 | 389 | 393 | 363 | 315 | 258 | 201 | 154 | 386 | 389 | 347 | 295 | 240 | 191 | 147 | 54 | | |
| 58 | 345 | 358 | 340 | 304 | 256 | 200 | 152 | 352 | 354 | 334 | 286 | 240 | 191 | 146 | 58 | | |
| 62 | 306 | 324 | 319 | 286 | 248 | 199 | 151 | 322 | 324 | 321 | 278 | 235 | 190 | 144 | 62 | | |
| 66 | 271 | 291 | 301 | 269 | 240 | 195 | 149 | 289 | 297 | 302 | 268 | 229 | 187 | 143 | 66 | | |
| 70 | 240 | 260 | 278 | 253 | 226 | 192 | 147 | 257 | 274 | 278 | 260 | 223 | 184 | 141 | 70 | | |
| 74 | 220 | 233 | 251 | 239 | 212 | 188 | 144 | 228 | 247 | 257 | 251 | 217 | 181 | 139 | 74 | | |
| 78 | 196 | 208 | 227 | 227 | 200 | 184 | 142 | 202 | 222 | 239 | 240 | 211 | 178 | 137 | 78 | | |
| 82 | 170 | 190 | 204 | 215 | 190 | 173 | 139 | 184 | 199 | 217 | 223 | 204 | 174 | 135 | 82 | | |
| 86 | | 173 | 184 | 196 | 180 | 164 | 137 | 165 | 177 | 196 | 207 | 193 | 171 | 132 | 86 | | |
| 90 | | 152 | 167 | 178 | 171 | 155 | 135 | | 159 | 177 | 188 | 184 | 167 | 130 | 90 | | |
| 94 | | 132 | 155 | 160 | 162 | 147 | 132 | | 148 | 158 | 171 | 175 | 159 | 128 | 94 | | |
| 98 | | | 138 | 145 | 150 | 139 | 125 | | 129 | 141 | 155 | 159 | 151 | 125 | 98 | | |
| 102 | | | 122 | 136 | 136 | 133 | 118 | | | 131 | 139 | 145 | 144 | 123 | 102 | | |
| 106 | | | 105 | 123 | 123 | 126 | 112 | | | 118 | 125 | 131 | 137 | 121 | 106 | | |
| 110 | | | | 109 | 115 | 118 | 106 | | | 103 | 114 | 118 | 126 | 116 | 110 | | |
| 114 | | | | 95,5 | 105 | 107 | 101 | | | | 106 | 105 | 114 | 110 | 114 | | |
| 118 | | | | | 93 | 100 | 96,5 | | | | 93 | 96 | 102 | 105 | 118 | | |
| 122 | | | | | 81,5 | 91,5 | 91 | | | | 80 | 89,5 | 92 | 96,5 | 122 | | |
| 126 | | | | | 70 | 81 | 84,5 | | | | | 79 | 82,5 | 86,5 | 126 | | |
| 130 | | | | | | 71 | 77 | | | | | 68 | 76,5 | 77 | 130 | | |
| 134 | | | | | | 61,5 | 68,5 | | | | | 57 | 69 | 69 | 134 | | |
| 138 | | | | | | 51,5 | 59,5 | | | | | | 59,5 | 64 | 138 | | |
| 142 | | | | | | | 51,5 | | | | | | 50 | 57,5 | 142 | | |
| 146 | | | | | | | 43,2 | | | | | | | 49,5 | 146 | | |
| 150 | | | | | | | 34,8 | | | | | | | 41,5 | 150 | | |
| 154 | | | | | | | | | | | | | | 33,4 | 154 | | |

mit 60 t Zentralballast



66-72m



19-30m



36-108m



15°
15,2x10,5m



295t



0-640t



360°

75%

| m | 66 | | | | | | | | 72 | | | | | | | | m |
|-----|-----|-----|------|------|------|------|------|-----|-----|------|------|------|------|------|-----|--|---|
| | 36 | 48 | 60 | 72 | 84 | 96 | 108 | 36 | 48 | 60 | 72 | 84 | 96 | 108 | | | |
| 24 | 546 | | | | | | | 498 | | | | | | | 24 | | |
| 26 | 546 | | | | | | | 498 | | | | | | | 26 | | |
| 28 | 546 | 433 | | | | | | 498 | 397 | | | | | | 28 | | |
| 30 | 546 | 433 | | | | | | 498 | 397 | | | | | | 30 | | |
| 34 | 546 | 433 | 349 | | | | | 498 | 397 | 321 | | | | | 34 | | |
| 38 | 538 | 433 | 349 | 282 | | | | 498 | 397 | 321 | 260 | | | | 38 | | |
| 42 | 513 | 433 | 349 | 282 | 228 | | | 480 | 397 | 321 | 260 | 211 | | | 42 | | |
| 46 | 468 | 422 | 349 | 282 | 228 | 183 | | 455 | 392 | 321 | 260 | 211 | 170 | | 46 | | |
| 50 | 421 | 401 | 345 | 282 | 228 | 183 | 142 | 417 | 375 | 321 | 260 | 211 | 170 | 133 | 50 | | |
| 54 | 381 | 383 | 333 | 282 | 228 | 183 | 142 | 376 | 359 | 311 | 260 | 211 | 170 | 133 | 54 | | |
| 58 | 346 | 349 | 318 | 274 | 228 | 183 | 141 | 342 | 345 | 301 | 256 | 211 | 170 | 133 | 58 | | |
| 62 | 316 | 319 | 306 | 265 | 224 | 183 | 140 | 311 | 315 | 288 | 249 | 210 | 170 | 132 | 62 | | |
| 66 | 290 | 293 | 294 | 257 | 219 | 182 | 138 | 285 | 288 | 279 | 242 | 206 | 170 | 131 | 66 | | |
| 70 | 267 | 269 | 274 | 248 | 214 | 178 | 137 | 262 | 264 | 269 | 234 | 202 | 167 | 129 | 70 | | |
| 74 | 241 | 248 | 253 | 240 | 209 | 175 | 135 | 241 | 244 | 249 | 228 | 198 | 165 | 128 | 74 | | |
| 78 | 215 | 230 | 234 | 232 | 203 | 172 | 133 | 223 | 225 | 230 | 221 | 194 | 162 | 125 | 78 | | |
| 82 | 190 | 209 | 217 | 219 | 198 | 169 | 131 | 200 | 208 | 213 | 215 | 188 | 159 | 123 | 82 | | |
| 86 | 167 | 187 | 202 | 203 | 193 | 166 | 129 | 178 | 193 | 197 | 199 | 183 | 157 | 121 | 86 | | |
| 90 | 153 | 167 | 185 | 189 | 186 | 162 | 126 | 157 | 174 | 183 | 185 | 179 | 153 | 119 | 90 | | |
| 94 | | 148 | 167 | 176 | 173 | 159 | 124 | 137 | 156 | 170 | 172 | 169 | 150 | 117 | 94 | | |
| 98 | | 133 | 150 | 162 | 161 | 155 | 122 | 127 | 139 | 156 | 160 | 157 | 147 | 115 | 98 | | |
| 102 | | 123 | 134 | 146 | 150 | 150 | 120 | | 122 | 140 | 149 | 146 | 144 | 113 | 102 | | |
| 106 | | | 119 | 132 | 137 | 140 | 118 | | 109 | 125 | 137 | 136 | 137 | 110 | 106 | | |
| 110 | | | 109 | 118 | 124 | 131 | 115 | | | 111 | 123 | 127 | 127 | 108 | 110 | | |
| 114 | | | 98,5 | 105 | 111 | 119 | 113 | | | 97,5 | 110 | 115 | 118 | 106 | 114 | | |
| 118 | | | | 95 | 100 | 107 | 110 | | | 89,5 | 98,5 | 103 | 110 | 104 | 118 | | |
| 122 | | | | 88 | 88,5 | 97 | 100 | | | | 86,5 | 92,5 | 100 | 101 | 122 | | |
| 126 | | | | 76,5 | 78,5 | 86,5 | 91 | | | | 77,5 | 82 | 89,5 | 93 | 126 | | |
| 130 | | | | | 72,5 | 76,5 | 81,5 | | | | 71 | 71,5 | 80 | 83,5 | 130 | | |
| 134 | | | | | 64 | 67 | 72,5 | | | | | 62,5 | 70,5 | 75 | 134 | | |
| 138 | | | | | 54 | 61,5 | 63,5 | | | | | 57,5 | 61,5 | 66 | 138 | | |
| 142 | | | | | | 55,5 | 55,5 | | | | | 49,6 | 52,5 | 58 | 142 | | |
| 146 | | | | | | 46,9 | 50 | | | | | | 47,9 | 50 | 146 | | |
| 150 | | | | | | 37,9 | 45,8 | | | | | | 42,3 | 43 | 150 | | |
| 154 | | | | | | | 38,1 | | | | | | 33,9 | 39,4 | 154 | | |
| 158 | | | | | | | 30,4 | | | | | | | 33,5 | 158 | | |
| 162 | | | | | | | 22,5 | | | | | | | 26,2 | 162 | | |
| 166 | | | | | | | | | | | | | | 18,9 | 166 | | |

mit 60 t Zentralballast



78-84m



19-30m



36-108m

15°
15,2x10,5m

295t



0-640t



360°

75%

| m | 78 | | | | | | | | 84 | | | | | | | | m |
|-----|-----|------|------|------|------|------|------|------|------|------|------|------|------|------|-----|--|---|
| | 36 | 48 | 60 | 72 | 84 | 96 | 108 | 36 | 48 | 60 | 72 | 84 | 96 | 108 | | | |
| 26 | 460 | | | | | | | 419 | | | | | | | 26 | | |
| 28 | 460 | | | | | | | 419 | | | | | | | 28 | | |
| 30 | 460 | 368 | | | | | | 419 | 337 | | | | | | 30 | | |
| 34 | 460 | 368 | 299 | | | | | 419 | 337 | 275 | | | | | 34 | | |
| 38 | 460 | 368 | 299 | 243 | | | | 419 | 337 | 275 | 224 | | | | 38 | | |
| 42 | 451 | 368 | 299 | 243 | 198 | | | 417 | 337 | 275 | 224 | 182 | | | 42 | | |
| 46 | 427 | 367 | 299 | 243 | 198 | 159 | | 397 | 337 | 275 | 224 | 182 | 147 | | 46 | | |
| 50 | 408 | 355 | 299 | 243 | 198 | 159 | 127 | 380 | 329 | 275 | 224 | 182 | 147 | 118 | 50 | | |
| 54 | 372 | 339 | 293 | 243 | 198 | 159 | 127 | 365 | 318 | 271 | 224 | 182 | 147 | 118 | 54 | | |
| 58 | 337 | 327 | 284 | 241 | 198 | 159 | 126 | 332 | 304 | 264 | 224 | 182 | 147 | 118 | 58 | | |
| 62 | 307 | 310 | 273 | 235 | 197 | 159 | 126 | 302 | 293 | 256 | 219 | 182 | 147 | 117 | 62 | | |
| 66 | 280 | 284 | 265 | 230 | 194 | 159 | 125 | 275 | 279 | 246 | 214 | 180 | 147 | 117 | 66 | | |
| 70 | 257 | 260 | 257 | 224 | 190 | 158 | 124 | 252 | 255 | 239 | 210 | 177 | 146 | 116 | 70 | | |
| 74 | 236 | 239 | 245 | 216 | 187 | 155 | 123 | 231 | 234 | 232 | 205 | 174 | 144 | 116 | 74 | | |
| 78 | 218 | 220 | 226 | 211 | 183 | 153 | 121 | 213 | 215 | 221 | 198 | 171 | 142 | 114 | 78 | | |
| 82 | 201 | 203 | 209 | 205 | 178 | 151 | 119 | 196 | 199 | 204 | 193 | 168 | 140 | 112 | 82 | | |
| 86 | 184 | 188 | 193 | 195 | 174 | 148 | 117 | 181 | 183 | 189 | 188 | 163 | 138 | 110 | 86 | | |
| 90 | 164 | 174 | 179 | 181 | 170 | 146 | 115 | 167 | 169 | 175 | 177 | 160 | 136 | 108 | 90 | | |
| 94 | 145 | 161 | 166 | 168 | 165 | 142 | 112 | 150 | 157 | 162 | 164 | 157 | 134 | 106 | 94 | | |
| 98 | 127 | 144 | 154 | 156 | 153 | 139 | 110 | 133 | 145 | 150 | 152 | 149 | 130 | 105 | 98 | | |
| 102 | 112 | 128 | 144 | 145 | 142 | 137 | 108 | 116 | 131 | 139 | 141 | 138 | 128 | 103 | 102 | | |
| 106 | | 113 | 130 | 135 | 132 | 133 | 106 | 100 | 117 | 129 | 131 | 128 | 126 | 101 | 106 | | |
| 110 | | 98,5 | 116 | 125 | 123 | 123 | 104 | | 103 | 118 | 121 | 118 | 119 | 98 | 110 | | |
| 114 | | 89,5 | 103 | 114 | 114 | 115 | 101 | | 89,5 | 105 | 112 | 110 | 111 | 96 | 114 | | |
| 118 | | | 90 | 102 | 105 | 106 | 99,5 | | 77,5 | 93,5 | 103 | 101 | 102 | 94 | 118 | | |
| 122 | | | 78,5 | 90,5 | 95 | 99 | 97,5 | | | 81,5 | 92,5 | 94 | 95 | 92 | 122 | | |
| 126 | | | 72,5 | 79,5 | 84,5 | 91 | 90,5 | | | 70 | 81,5 | 85,5 | 87,5 | 86,5 | 126 | | |
| 130 | | | | 68,5 | 74,5 | 81,5 | 83,5 | | | 62 | 71,5 | 75,5 | 81 | 79,5 | 130 | | |
| 134 | | | | 61,5 | 65 | 72,5 | 76 | | | | 61 | 66,5 | 73 | 73 | 134 | | |
| 138 | | | | | 55,5 | 63,5 | 67,5 | | | | 52 | 57,5 | 64 | 67 | 138 | | |
| 142 | | | | | 48,8 | 55 | 59,5 | | | | 47,8 | 48,7 | 56 | 59 | 142 | | |
| 146 | | | | | 44,3 | 47,1 | 51,5 | | | | | 41,5 | 48,1 | 51,5 | 146 | | |
| 150 | | | | | | 41,1 | 44,2 | | | | | 37,2 | 40,3 | 44,5 | 150 | | |
| 154 | | | | | | | 37,1 | 36,9 | | | | 29,5 | 33 | 37,3 | 154 | | |
| 158 | | | | | | | 29,2 | 31,6 | | | | | 28,7 | 30,4 | 158 | | |
| 162 | | | | | | | | 27,5 | | | | | 23,4 | 23,6 | 162 | | |
| 166 | | | | | | | | 21,5 | | | | | | 18,6 | 166 | | |
| 170 | | | | | | | | 14,5 | | | | | | 14,7 | 170 | | |

mit 60 t Zentralballast



90-96m



19-30m



36-108m



15°
15,2x10,5m



295t



0-640t



360°

75%

| m | 90 | | | | | | | | 96 | | | | | | | | m |
|-----|-----|------|------|------|------|------|------|------|------|------|------|------|------|------|-----|--|---|
| | 36 | 48 | 60 | 72 | 84 | 96 | 108 | 36 | 48 | 60 | 72 | 84 | 96 | 108 | | | |
| 26 | 381 | | | | | | | 346 | | | | | | | 26 | | |
| 28 | 381 | | | | | | | 346 | | | | | | | 28 | | |
| 30 | 381 | 309 | | | | | | 346 | 281 | | | | | | 30 | | |
| 34 | 381 | 309 | 252 | | | | | 346 | 281 | 231 | | | | | 34 | | |
| 38 | 381 | 309 | 252 | 206 | | | | 346 | 281 | 231 | | | | | 38 | | |
| 42 | 381 | 309 | 252 | 206 | 168 | | | 346 | 281 | 231 | 189 | | | | 42 | | |
| 46 | 370 | 309 | 252 | 206 | 168 | 136 | | 340 | 281 | 231 | 189 | 154 | | | 46 | | |
| 50 | 352 | 304 | 252 | 206 | 168 | 136 | 109 | 329 | 280 | 231 | 189 | 154 | 124 | | 50 | | |
| 54 | 340 | 296 | 251 | 206 | 168 | 136 | 109 | 313 | 272 | 231 | 189 | 154 | 124 | 100 | 54 | | |
| 58 | 328 | 286 | 245 | 206 | 168 | 136 | 109 | 302 | 264 | 227 | 189 | 154 | 124 | 100 | 58 | | |
| 62 | 297 | 274 | 239 | 203 | 168 | 136 | 108 | 291 | 254 | 221 | 187 | 154 | 124 | 99,5 | 62 | | |
| 66 | 271 | 265 | 233 | 199 | 167 | 136 | 108 | 266 | 245 | 216 | 184 | 153 | 124 | 99 | 66 | | |
| 70 | 247 | 251 | 224 | 195 | 164 | 136 | 107 | 242 | 237 | 211 | 181 | 151 | 124 | 98,5 | 70 | | |
| 74 | 227 | 230 | 218 | 191 | 161 | 133 | 107 | 222 | 225 | 203 | 177 | 149 | 123 | 98 | 74 | | |
| 78 | 208 | 211 | 211 | 186 | 159 | 131 | 106 | 203 | 207 | 198 | 174 | 147 | 121 | 97,5 | 78 | | |
| 82 | 191 | 194 | 200 | 181 | 156 | 128 | 104 | 186 | 190 | 192 | 168 | 144 | 118 | 96 | 82 | | |
| 86 | 176 | 179 | 185 | 177 | 154 | 126 | 102 | 171 | 174 | 181 | 164 | 142 | 116 | 94,5 | 86 | | |
| 90 | 162 | 165 | 171 | 173 | 149 | 123 | 101 | 157 | 160 | 166 | 161 | 137 | 114 | 93 | 90 | | |
| 94 | 150 | 152 | 158 | 160 | 146 | 120 | 99 | 145 | 147 | 153 | 156 | 135 | 112 | 91,5 | 94 | | |
| 98 | 136 | 141 | 146 | 148 | 143 | 118 | 97,5 | 133 | 136 | 141 | 144 | 132 | 109 | 90 | 98 | | |
| 102 | 121 | 130 | 135 | 137 | 134 | 114 | 96 | 122 | 125 | 130 | 133 | 130 | 106 | 88,5 | 102 | | |
| 106 | 106 | 119 | 125 | 127 | 124 | 111 | 94 | 108 | 115 | 120 | 122 | 120 | 103 | 87 | 106 | | |
| 110 | 91 | 106 | 116 | 117 | 115 | 109 | 91 | 94 | 106 | 111 | 113 | 110 | 101 | 85,5 | 110 | | |
| 114 | | 93 | 107 | 109 | 106 | 106 | 89,5 | 80,5 | 94 | 102 | 104 | 102 | 98,5 | 82 | 114 | | |
| 118 | | 80,5 | 95,5 | 100 | 98 | 99 | 87,5 | 67,5 | 82 | 94,5 | 96,5 | 93,5 | 95 | 80,5 | 118 | | |
| 122 | | 68 | 84 | 93 | 90 | 91 | 86 | | 70,5 | 84,5 | 88,5 | 86 | 87 | 79 | 122 | | |
| 126 | | | 73 | 83 | 83 | 84 | 83 | | 59 | 74 | 81,5 | 79 | 80 | 77,5 | 126 | | |
| 130 | | | 62,5 | 73 | 75,5 | 77 | 76 | | 51 | 63,5 | 72,5 | 72 | 73 | 72 | 130 | | |
| 134 | | | 52,5 | 63,5 | 66,5 | 71 | 69,5 | | | 53,5 | 63,5 | 65,5 | 66,5 | 65,5 | 134 | | |
| 138 | | | | 54 | 58 | 64 | 63,5 | | | 44,6 | 54,5 | 57 | 60,5 | 59,5 | 138 | | |
| 142 | | | | 44,8 | 49,8 | 56 | 58 | | | | 45,8 | 49,2 | 54,5 | 54 | 142 | | |
| 146 | | | | 40,7 | 41,6 | 48,4 | 51 | | | | 37,2 | 41,3 | 47,2 | 49,2 | 146 | | |
| 150 | | | | | 33,5 | 40,8 | 44 | | | | 31,7 | 33,6 | 39,9 | 42,3 | 150 | | |
| 154 | | | | | 28,7 | 33,5 | 37,1 | | | | | 26 | 32,8 | 35,6 | 154 | | |
| 158 | | | | | 23,7 | 26,2 | 30,4 | | | | | 19,1 | 25,8 | 29 | 158 | | |
| 162 | | | | | | 20 | 23,8 | | | | | 14,9 | 19 | 22,7 | 162 | | |
| 166 | | | | | | 15,9 | 17,4 | | | | | | 12,3 | 16,5 | 166 | | |
| 170 | | | | | | 10,6 | 11,1 | | | | | | | 10,5 | 170 | | |

mit 60 t Zentralballast



102-108m



19-30m



36-108m

15°



15,2x10,5m



295t



0-640t



360°

75%

| m | 102 | | | | | | | | 108 | | | | | | | | m |
|-----|------|------|------|------|------|------|------|------|------|------|------|------|------|------|------|-----|---|
| | 36 | 48 | 60 | 72 | 84 | 96 | 108 | 36 | 48 | 60 | 72 | 84 | 96 | 108 | | | |
| 28 | 314 | | | | | | | 285 | | | | | | | 28 | | |
| 30 | 314 | | | | | | | 285 | | | | | | | 30 | | |
| 34 | 314 | 256 | | | | | | 285 | 233 | | | | | | 34 | | |
| 38 | 314 | 256 | 211 | | | | | 285 | 233 | 191 | | | | | 38 | | |
| 42 | 314 | 256 | 211 | 173 | | | | 285 | 233 | 191 | 156 | | | | 42 | | |
| 46 | 312 | 256 | 211 | 173 | 140 | | | 285 | 233 | 191 | 156 | 127 | | | 46 | | |
| 50 | 303 | 256 | 211 | 173 | 140 | 114 | | 276 | 233 | 191 | 156 | 127 | 103 | | 50 | | |
| 54 | 293 | 250 | 211 | 173 | 140 | 114 | 91 | 268 | 229 | 191 | 156 | 127 | 103 | 82,5 | 54 | | |
| 58 | 280 | 244 | 208 | 173 | 140 | 114 | 91 | 260 | 224 | 190 | 156 | 127 | 103 | 82,5 | 58 | | |
| 62 | 271 | 237 | 204 | 172 | 140 | 113 | 91 | 249 | 218 | 187 | 156 | 127 | 103 | 82 | 62 | | |
| 66 | 262 | 227 | 200 | 170 | 140 | 113 | 90,5 | 240 | 213 | 183 | 154 | 127 | 102 | 81,5 | 66 | | |
| 70 | 238 | 221 | 195 | 167 | 138 | 113 | 90 | 232 | 204 | 179 | 152 | 125 | 102 | 81 | 70 | | |
| 74 | 217 | 214 | 191 | 164 | 135 | 112 | 89,5 | 212 | 198 | 175 | 149 | 123 | 101 | 80,5 | 74 | | |
| 78 | 198 | 202 | 183 | 161 | 132 | 110 | 88,5 | 193 | 193 | 171 | 147 | 120 | 99,5 | 79,5 | 78 | | |
| 82 | 182 | 185 | 179 | 158 | 129 | 108 | 87,5 | 177 | 181 | 165 | 144 | 118 | 98 | 78,5 | 82 | | |
| 86 | 166 | 170 | 174 | 152 | 126 | 106 | 86 | 161 | 165 | 161 | 141 | 116 | 96 | 77 | 86 | | |
| 90 | 153 | 156 | 162 | 149 | 124 | 104 | 84,5 | 147 | 151 | 157 | 136 | 113 | 94,5 | 76 | 90 | | |
| 94 | 140 | 143 | 149 | 145 | 121 | 102 | 83 | 135 | 138 | 145 | 133 | 111 | 92,5 | 74,5 | 94 | | |
| 98 | 129 | 131 | 137 | 140 | 116 | 100 | 82 | 123 | 127 | 133 | 130 | 107 | 91 | 73 | 98 | | |
| 102 | 118 | 121 | 127 | 129 | 113 | 98,5 | 80,5 | 113 | 116 | 122 | 125 | 103 | 89,5 | 72 | 102 | | |
| 106 | 108 | 111 | 116 | 119 | 110 | 94,5 | 79 | 103 | 106 | 112 | 114 | 101 | 87,5 | 70,5 | 106 | | |
| 110 | 95,5 | 102 | 107 | 109 | 107 | 92,5 | 77,5 | 94,5 | 97 | 103 | 105 | 98,5 | 84 | 69 | 110 | | |
| 114 | 83 | 93,5 | 98,5 | 100 | 98 | 90,5 | 75,5 | 82,5 | 88,5 | 94 | 96,5 | 94 | 82 | 67,5 | 114 | | |
| 118 | 70,5 | 82,5 | 90,5 | 92,5 | 90 | 88,5 | 73 | 71 | 80,5 | 86 | 88 | 85,5 | 80 | 65 | 118 | | |
| 122 | 58,5 | 71,5 | 83 | 85 | 82 | 83,5 | 72 | 60 | 70,5 | 78,5 | 80,5 | 78 | 78,5 | 63,5 | 122 | | |
| 126 | | 61 | 74 | 77,5 | 75 | 76,5 | 70,5 | 49 | 60,5 | 71,5 | 73,5 | 70,5 | 72,5 | 62 | 126 | | |
| 130 | | 50,5 | 64 | 71 | 68 | 69,5 | 68,5 | | 50,5 | 62,5 | 66,5 | 64 | 65,5 | 60,5 | 130 | | |
| 134 | | 42,7 | 54,5 | 62,5 | 62 | 63 | 62 | | 41,1 | 53,5 | 60 | 58 | 59 | 58,5 | 134 | | |
| 138 | | | 45,5 | 54 | 55,5 | 57 | 56 | | 32,1 | 45 | 52,5 | 53 | 54 | 53 | 138 | | |
| 142 | | | 36,4 | 46 | 48 | 52,5 | 51,5 | | | 36,4 | 44,5 | 45,6 | 49,4 | 48,7 | 142 | | |
| 146 | | | | 31,1 | 37,8 | 40,4 | 45,5 | 46,9 | | | 28 | 36,7 | 38,2 | 42,7 | 146 | | |
| 150 | | | | | 29,7 | 33 | 38,4 | 40,2 | | | 20,9 | 29,1 | 31,1 | 35,9 | 150 | | |
| 154 | | | | | 22,6 | 25,8 | 31,6 | 33,6 | | | | 21,5 | 24,2 | 29,2 | 154 | | |
| 158 | | | | | | 18,7 | 24,9 | 27,3 | | | | 14,1 | 17,4 | 22,8 | 24,5 | 158 | |
| 162 | | | | | | 11,7 | 18,4 | 21,2 | | | | | 10,8 | 16,5 | 18,6 | 162 | |
| 166 | | | | | | | 12 | 15,2 | | | | | | 10,4 | 12,8 | 166 | |

mit 60 t Zentralballast



54-108m



19-30m



12m



15°
15,2x10,5m



295t



0-640t



360°

75%

| m | 54 | 60 | 66 | 72 | 78 | 84 | 90 | 96 | 102 | 108 | m |
|-----|------|-----|-----|-----|-----|-----|-----|-----|------|------|-----|
| 14 | 1071 | | | | | | | | | | 14 |
| 16 | 1007 | | | | | | | | | | 16 |
| 18 | 951 | 934 | 972 | 876 | 793 | | | | | | 18 |
| 20 | 901 | 890 | 946 | 876 | 793 | 710 | 637 | 572 | | | 20 |
| 22 | 857 | 850 | 904 | 876 | 793 | 710 | 637 | 572 | 516 | 464 | 22 |
| 24 | 817 | 814 | 866 | 855 | 793 | 710 | 637 | 572 | 516 | 464 | 24 |
| 26 | 781 | 781 | 831 | 831 | 771 | 707 | 637 | 572 | 516 | 464 | 26 |
| 28 | 748 | 751 | 798 | 801 | 764 | 700 | 634 | 572 | 516 | 464 | 28 |
| 30 | 718 | 723 | 751 | 745 | 739 | 689 | 630 | 570 | 515 | 464 | 30 |
| 34 | 663 | 657 | 651 | 645 | 639 | 633 | 623 | 563 | 513 | 461 | 34 |
| 38 | 584 | 578 | 572 | 566 | 560 | 554 | 549 | 543 | 507 | 459 | 38 |
| 42 | 510 | 514 | 508 | 502 | 496 | 490 | 484 | 478 | 473 | 438 | 42 |
| 46 | 438 | 462 | 455 | 449 | 443 | 437 | 431 | 425 | 419 | 413 | 46 |
| 50 | 377 | 406 | 409 | 403 | 397 | 391 | 386 | 380 | 374 | 368 | 50 |
| 54 | 334 | 352 | 371 | 365 | 358 | 352 | 347 | 341 | 335 | 329 | 54 |
| 58 | 291 | 305 | 326 | 331 | 325 | 319 | 313 | 307 | 302 | 295 | 58 |
| 62 | 245 | 273 | 284 | 300 | 297 | 290 | 285 | 278 | 273 | 266 | 62 |
| 66 | | 237 | 246 | 263 | 272 | 265 | 259 | 253 | 247 | 241 | 66 |
| 70 | | | 225 | 229 | 242 | 243 | 237 | 231 | 225 | 219 | 70 |
| 74 | | | | 201 | 212 | 220 | 218 | 212 | 206 | 199 | 74 |
| 78 | | | | | 184 | 194 | 200 | 194 | 188 | 182 | 78 |
| 82 | | | | | 166 | 169 | 177 | 179 | 173 | 166 | 82 |
| 86 | | | | | | 147 | 155 | 159 | 159 | 152 | 86 |
| 90 | | | | | | | 134 | 139 | 142 | 139 | 90 |
| 94 | | | | | | | | 120 | 124 | 125 | 94 |
| 98 | | | | | | | | 105 | 108 | 109 | 98 |
| 102 | | | | | | | | | 91,5 | 94 | 102 |
| 106 | | | | | | | | | | 79,5 | 106 |

mit 60 t Zentralballast